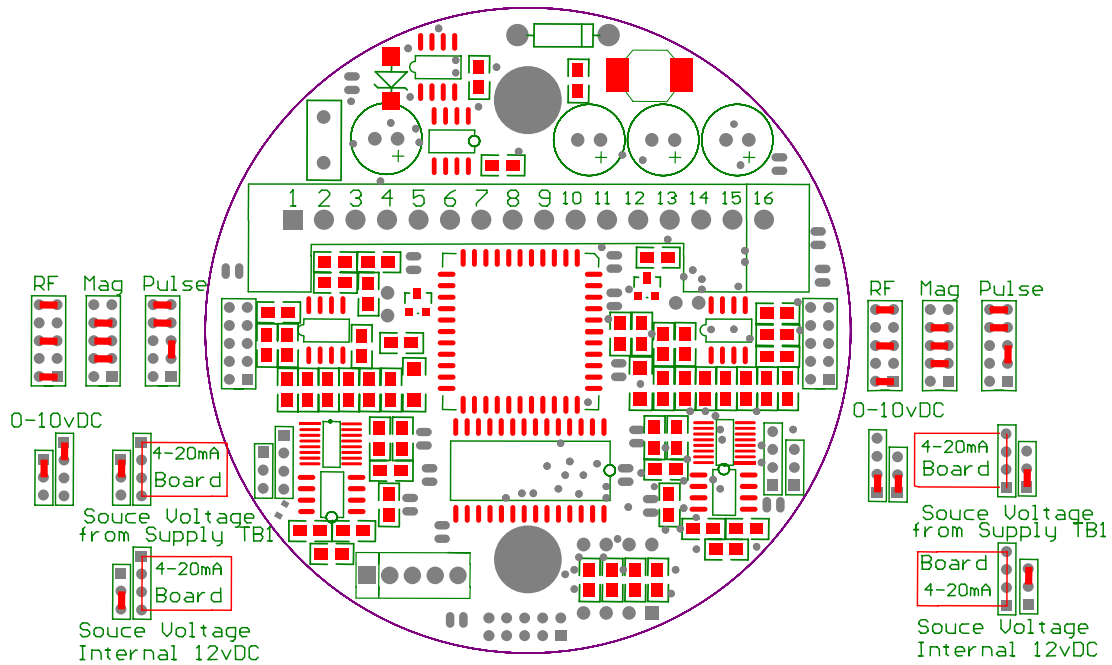


D(T)Lin Wiring Diagram



Terminal Block assignments:

| Terminal | Description | Dlin | DTlin |
|----------|---------------------------------|------|-------|
| 1. | +9-32vDC Supply Input | * | * |
| 2. | 0v | * | * |
| 3. | Sensor Input + | * | * |
| 4. | Sensor Input - | * | * |
| 5. | 0-10vDC Flow Output | * | * |
| 6. | 0v | * | * |
| 7. | 0-10vDC Temperature Output | | * |
| 8. | RTD PT100 + Supply | | * |
| 9. | RTD PT100 + Sense | | * |
| 10. | RTD PT100 - Sense | | * |
| 11. | RTD PT100 - Supply | | * |
| 12. | 0-10vDC Temperature Input | | * |
| 13. | 5v (TTL Pulse) Frequency Output | * | * |
| 14. | 0v | * | * |
| 15. | Sensor Input + | * | * |
| 16. | Sensor Input - | * | * |